



Republic of the Philippines  
 Department of Agriculture  
 Bureau of Fisheries and Aquatic Resources  
**BIDS AND AWARDS COMMITTEE OFFICE**  
 3/F PCA Bldg., Elliptical Road, Diliman, Quezon City, Philippines 1101  
 Tel. No.: +02. 332. 4661 website: [www.bfar.da.gov.ph](http://www.bfar.da.gov.ph) /e-mail: [bfarbac2013sec@gmail.com](mailto:bfarbac2013sec@gmail.com)

## SUPPLEMENTAL BID BULLETIN 02

November 16, 2020

**SUBJECT : Bid Reference 2020-30 entitled “SUPPLY AND DELIVERY OF (FRP) SUPPLIES AND MATERIALS, FABRICATION TOOLS AND ACCESSORIES, UNDERWATER FITTINGS, MARINE ENGINES AND BAMBOO OUTRIGGERS FOR THE CONSTRUCTION OF 350 UNITS 30 FOOTER FRP BOATS.”**

This Supplemental Bid Bulletin no. 2 is issued to all participating bidders to clarify, amend and/or modify certain provisions and requirements set forth under the above-entitled procurement project based on the result of the Pre-bid Conference conducted on November 16, 2020, via videoconferencing, to wit:

### **Section I – Invitation to Bid (Schedule of Procurement Activities)**

From	To
<p>7. Bids must be duly received by the BAC Secretariat through electronic submission in accordance with the BFAR-BAC procedure for online bidding as stated in the “Annex A, Bidder’s kit II to VI” simultaneously with the submission of the printed copies as indicated in the BDS Clause 15.</p> <p>The Bidder shall submit bids on or before <u>November 24, 2020 at 9:30 a.m.</u> at the BFAR-BAC Office, 3<sup>rd</sup> flr., PCA Main Bldg., Elliptical Road, Diliman, Q.C., and <a href="mailto:bac.eps@bfar.da.gov.ph">bac.eps@bfar.da.gov.ph</a>.</p> <p>9. Bid opening shall be on <u>November 24, 2020 at 10:00 a.m</u> via video conference through “Zoom” application. Bids will be opened in accordance with the BFAR BAC procedure for online bidding as stated in the “Annex A, Bidder’s kit VII”. Late bids shall not be accepted.</p>	<p>7. Bids must be duly received by the BAC Secretariat through electronic submission in accordance with the BFAR-BAC procedure for online bidding as stated in the “Annex A, Bidder’s kit II to VI” simultaneously with the submission of the printed copies as indicated in the BDS Clause 15.</p> <p>The Bidder shall submit bids on or before <u>December 2, 2020 at 9:30 a.m.</u> at the BFAR-BAC Office, 3<sup>rd</sup> flr., PCA Main Bldg., Elliptical Road, Diliman, Q.C., and <a href="mailto:bac.eps@bfar.da.gov.ph">bac.eps@bfar.da.gov.ph</a>.</p> <p>9. Bid opening shall be on <u>December 2, 2020 at 10:00 a.m</u> via video conference through “Zoom” application. Bids will be opened in accordance with the BFAR BAC procedure for online bidding as stated in the “Annex A, Bidder’s kit VII”. Late bids shall not be accepted.</p>

**Section III – (Bid Data Sheet)**

<b>From</b>	<b>To</b>
<p><b>ITB Clause 5.3 (b)</b></p> <p><i>b. Lot 1-3,5-8,10 bidder must have completed a single contract that is similar to this Project, equivalent to at least twenty-five percent (25%) of the ABC within two (2) years prior to the deadline for the submission and receipt of bids.</i></p> <p><i>Lot 4 &amp; 9 bidder must have completed a single contract that is similar to this Project, equivalent to at least fifty percent (50%) of the ABC within five (5) years prior to the deadline for the submission and receipt of bids.</i></p>	<p><b>ITB Clause 5.3 (b)</b></p> <p><i>b. Lot 1-2,5-7,10 bidder must have completed a single contract that is similar to this Project, equivalent to at least twenty-five percent (25%) of the ABC within two (2) years prior to the deadline for the submission and receipt of bids.</i></p> <p><i>Lot 3 &amp; 8, bidder must have completed a single contract that is similar to this Project, equivalent to at least twenty-five percent (25%) of the ABC within five (5) years prior to the deadline for the submission and receipt of bids.</i></p> <p><i>Lot 4 &amp; 9 bidder must have completed a single contract that is similar to this Project, equivalent to at least fifty percent (50%) of the ABC within five (5) years prior to the deadline for the submission and receipt of bids.</i></p>

**Section VII – Technical Specifications**

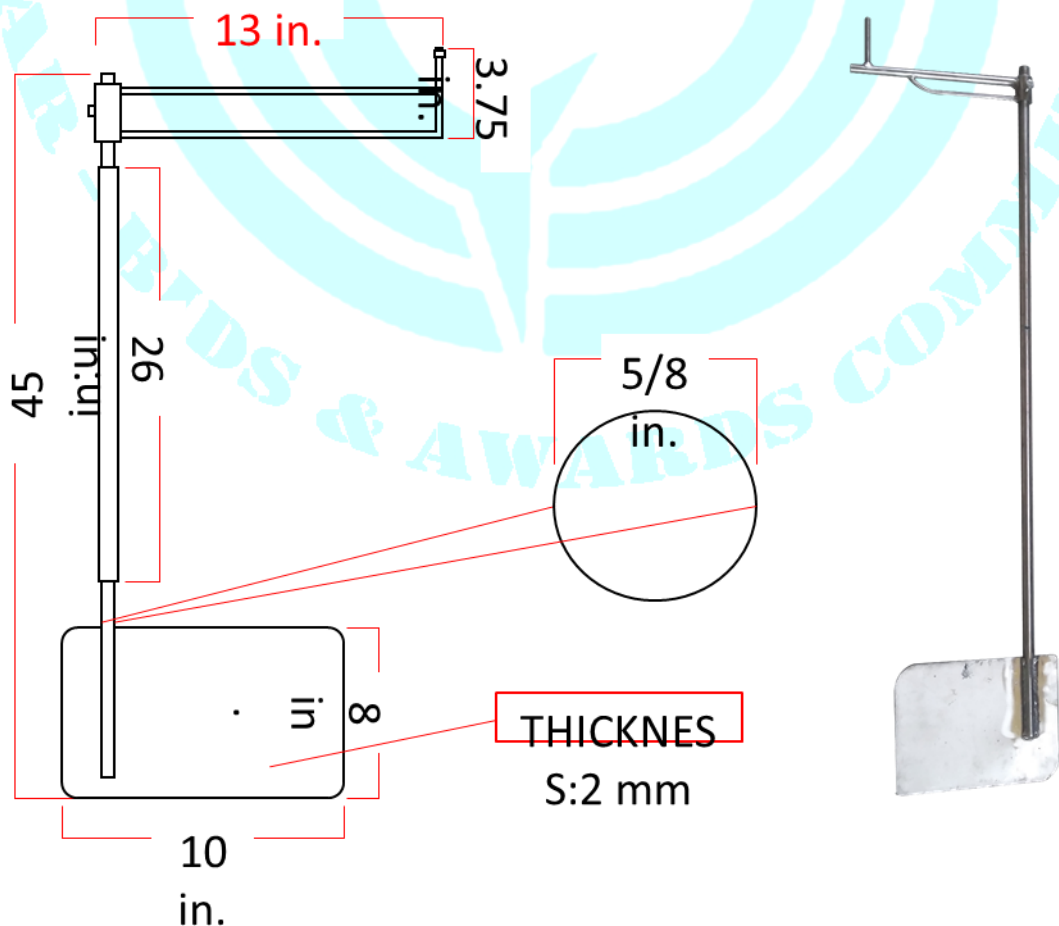
***For Lot no. 3 - SUPPLY AND DELIVERY OF UNDERWATER FITTINGS FOR THE CONSTRUCTION OF 100 UNITS 30 FOOTER FRP BOATS.***

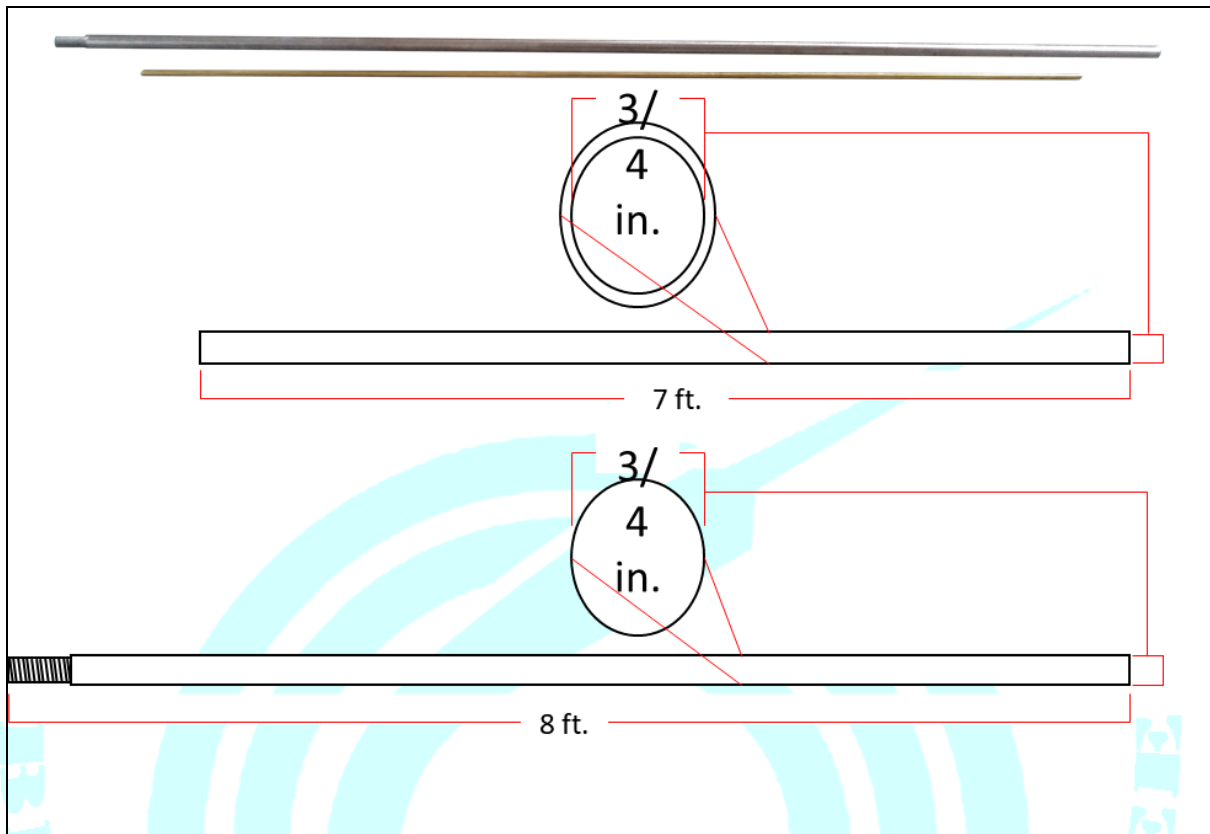
***And***

***Lot no. 8 - SUPPLY AND DELIVERY OF UNDERWATER FITTINGS FOR THE CONSTRUCTION OF 250 UNITS 30 FOOTER FRP BOATS.***

***Additional Specifications:***

- *All stainless steel materials must be type 304*
- *During delivery, the bidder/supplier must submit a Certification stating that the materials were used during the fabrication of Underwater Fittings is stainless steel type 304.*
- *Rudder assembly handle specs will be change from 10.63 in. to 13 in.*
- *Brass pipe would be 7 inches in length (as seen in technical drawing)*





\*\*\*\**nothing follows*\*\*\*\*

All other portions of the Bidding Documents affected by these amendments shall be made to conform the same.

Amendments/inclusions/clarifications made herein shall be considered an integral part of the Bidding Documents.

The changes made in the Philippine Bidding Documents (6<sup>th</sup> Edition, July 2020) are deemed integrated in terms and conditions for this project.

For further inquiries, please coordinate/call the Bids and Awards Committee Secretariat at Tel. No. 8332-4661.

Please be guided accordingly.

**SGD. ATTY. DEMOSTHENES R. ESCOTO**  
Chairman, Bids and Awards Committee